

Ethos™ Design C Pedestal Lavatory

FEATURES

- 27-1/2" x 19-5/8"
- SanaGloss® ceramic glaze - prevents debris and mold from sticking to ceramic surfaces, leading to fewer chemicals and less water in cleaning
- Traditional styling
- 34" Universal Height for maximum comfort
- Rear overflow
- Vitreous china pedestal and lavatory combination complete with mounting hardware

MODELS

- LPT680G
Pedestal lavatory with single hole
- LPT680.4G
Pedestal lavatory with 4" faucet centers
- LPT680.8G
Pedestal lavatory with 8" faucet centers
- Available Components:
LT680G
Lavatory with single hole

LT680.4G
Lavatory with 4" faucet centers

LT680.8G
Lavatory with 8" faucet centers

PT680
Pedestal only, with mounting hardware

COLORS/FINISHES

- #01 Cotton
- #12 Sedona Beige



SanaGloss

Faucet sold separately

CODES/STANDARDS

- Meets and exceeds ASME A112.19.2/CSA B45.1
- Certifications: IAPMO(cUPC), State of Massachusetts, City of Los Angeles, and others
- Code compliance: UPC, IPC, NSPC, NPC Canada, and others



PRODUCT SPECIFICATION

The lavatory shall have SanaGloss glazing and be 27-1/2" width and 19-5/8" depth. The basin shall be 20-7/8" width and 12-1/4" depth. The lavatory shall be made of vitreous china and be 34" universal height with rear overflow. Lavatory shall be TOTO Model LPT680_____.

LPT680G

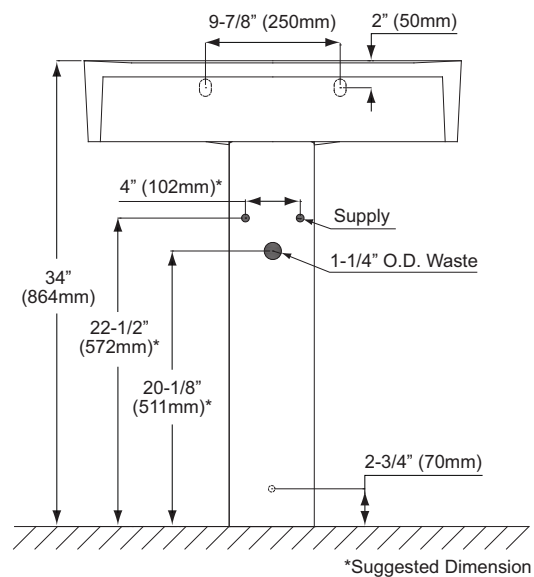
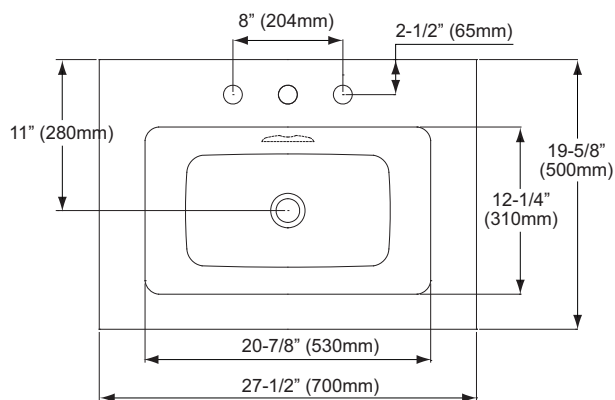
Ethos™ Design C Pedestal Lavatory

SPECIFICATIONS

- Waste 1-1/4" O.D.
 - Size 27-1/2" W x 19-5/8" D
 - Basin 20-7/8" W x 12-1/4" D
 - Warranty One Year Limited Warranty
 - Material Vitreous china
 - Shipping Weight LT680G/LT680.4G/LT680.8G
57 lbs.
- PT680
27 lbs.
- Shipping Dimensions LT680G/LT680.4G/LT680.8G
28-7/8" W x 21-1/4" D x
10-1/8" H
- PT680
29-1/4" W x 7-3/8" D
x 8-1/8" H

INSTALLATION NOTES

Requires PT680 pedestal for support. Use proper back support to mount product.



TOTO®

These dimensions and specifications are subject to change without notice